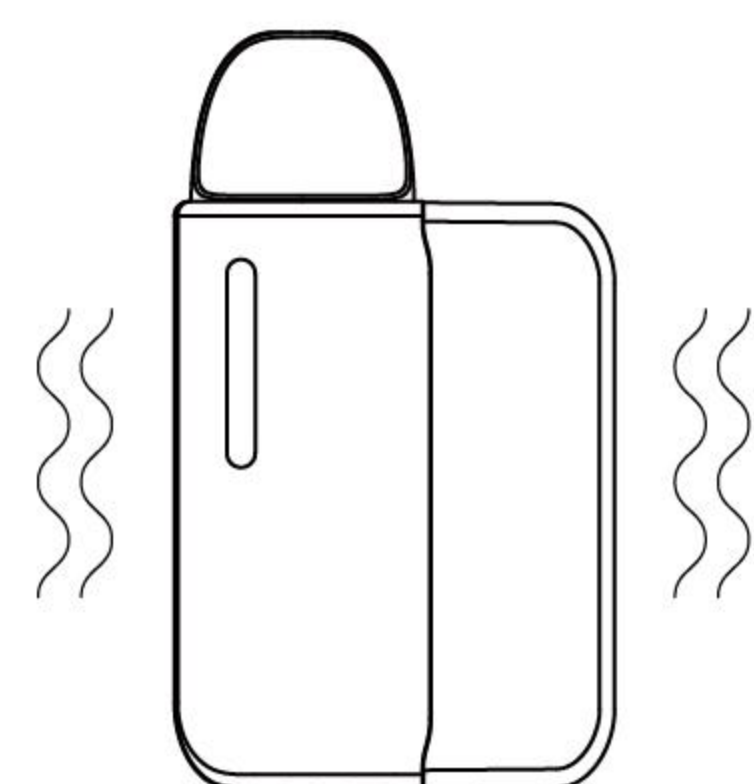


Chillax CHILLAX RE:

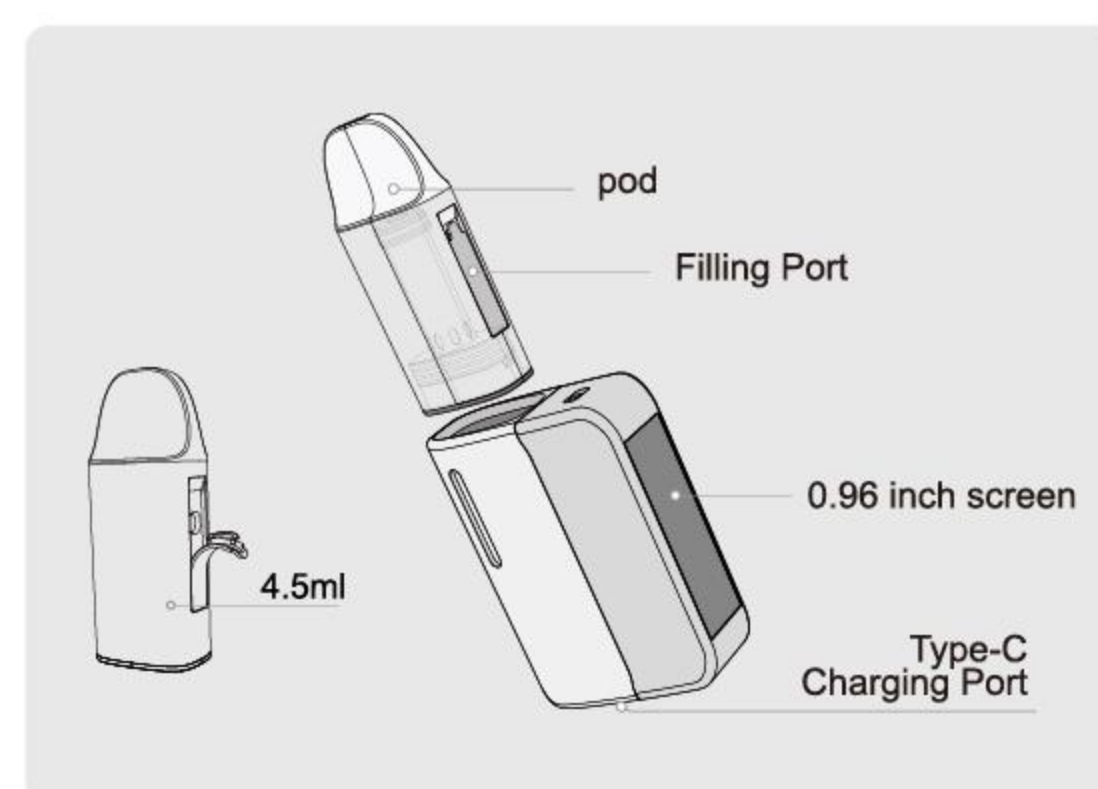
The Refill Revolution
Love the Performance, Love the Price



For the best experience, this device should be used simultaneously with Chillax liquid products.

USER MANUAL

EXPLORE VIEW



This product is not suitable for:

- Person under 18 years old.
- Non-smokers.
- Those who are pregnant.
- Those who have allergies to propylene glycol, a plant-based ingredient derived from tobacco plants or fruits.
- Those with respiratory illnesses.

Thank you for choosing Chillax Re: product.
Please read the instruction carefully before use.
If there is any additional requirement about the product, please consult the local agent or contact us through our website:
www.chillaxvapetech.com

SPECIFICATIONS

Pod Parameters

Capacity	4.5ml
Pod Material	PCTG
Resistance	0.6Ω

Device Parameters

Material	Aluminium Alloy/PC
Weight	49.9g
Output Wattage	20W
Input Voltage	3.0V(±0.1V)-4.2V
Battery Capacity	1000mAh

PACKING LIST

1 x Chillax Re: Device 1 x Chillax Re: 0.6Ω Mesh Pod
1 x Type-C Cable 1 x User Manual & Warranty Card

USE INSTRUCTION

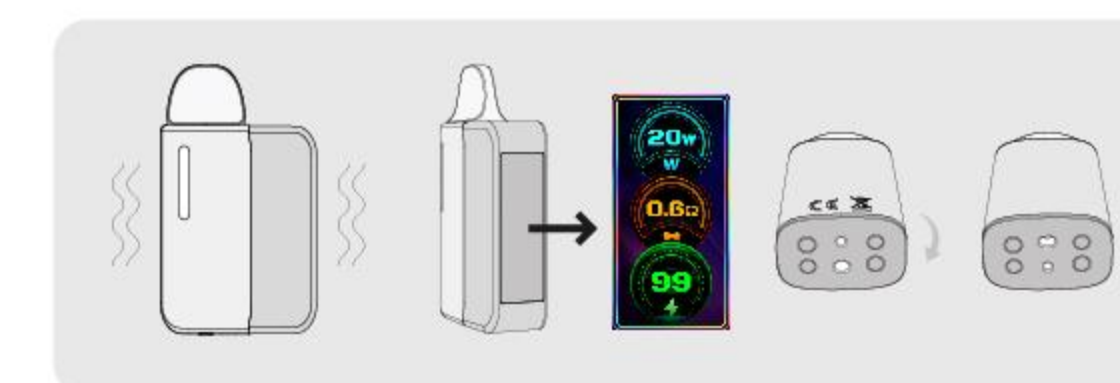
1.Fill the e-liquid

- Pull out the mouthpiece, uncover the silicone on the top of the pod and fill the e-liquid.
- After filling, please wait for 3 minutes before using.



2.Device Operations

- Pod Identification:** Install the pod into the device.
- Vape Mode:** Direct auto-draw.
- Adjust the Airflow:** Easily switch the pod to adjust the airflow from Loose to Tight.
- Automatic Resistance Detection:** When install the pod, the resistance of the pod will be automatically detected and the device will work at the best wattage.



3.Charging management and battery Power

·Charging wake-up:

After inserting the Type-C charging cable, the screen jumps to the charging interface.



·Charging completed:

After unplugging the power supply, the screen jumps back to the Data Display interface.



·Protection function

Timeout protection: When the normal smoking time exceeds 10s±0.5s, the electronic cigarette will forcibly shut down the MOS, and the screen will

display the over-smoking picture for 3 seconds.

·Charging protection:

1. Connect the charger, and the screen will display the charging animation;
2. Unplug the charger, and the screen will display the corresponding power level for 2 seconds and then turn off;
3. Supports charging and discharging at the same time, and automatically shuts down charging when smoking.

·**No-load protection:** When smoking without load, the screen will display the no-load picture, and the output will stop at the same time, and the display will be 3 seconds.

·**Short Circuit Protection:** When smoking, if a short circuit occurs in the load or during use, the output will stop, and the screen will display a short-circuit icon for 3 seconds. Special Reminder: Protection is required both when a short circuit occurs during smoking and before smoking.

·**Low Voltage Protection:** Before smoking, if the battery voltage is lower than 3.3V ± 0.1V, or during smoking, if the battery voltage drops below 3.05V ± 0.1V, the output will stop, and the screen will display a low-power warning for 3 seconds.

CAUTIONS

- Turn off the device when not in use.
- Do not leave the charging device unattended.

- Do not drop, throw or use the device, otherwise it may be damaged.
- Keep away from water or any flammable gas, liquid.
- Do not expose the device to direct sunlight, dust, moisture or mechanical shock.
- Do not expose the device to extreme temperatures.
- Battery recycling: Product batteries should not be disposed of as household waste, but should be handed over to the applicable collection point for used batteries for recycling.

CAUTIONS WARNINGS

This refillable electronic cigarette is intended for use with compatible e-liquid, which may contain nicotine, Nicotine is an addictive substance and it is not suitable for recommended to use in following cases:

1. This device is not suitable for:
 - Persons under the legal smoking age.
 - Persons experiencing heart disease, stomach or duodenal ulcers, liver or kidney problems long-term throat disease or difficult breathing due to bronchitis, emphysema or asthma.
 - Persons with an overactive thyroid gland or experiencing phaeochromocytoma (a tumour of the adrenal gland that can affect blood pressure).
 - Persons taking certain medications like Theophylline, Ropinirole or Clozapine and etc.

2. This device is not recommended for
 - Non-smokers
 - Pregnant or breastfeeding women.

3. You may experience the following results if you use nicotine containing e-liquid with this product. If it happens, please consult a healthcare professional and show them this leaflet if possible:
 - Feel faint-Nausea-Dizziness-Headache-Coughing-Irritation of the mouth or throat.
 - Stomach discomfort -Hiccups-Nasal congestion-Vomition.
 - Chest palpitation/pain or an irregular heart rate.

[People under the legal smoking age are prohibited from using the device.]

Shenzhen Weimei Electronic Technology Co.,Ltd
Address: 201, Building B1, Fumin Industrial Zone, Heshu Road, Tangwei Community, Fuhai Street, Baoan District, Shenzhen, China.
Website: www.chillaxvapetech.com
E-mail: info@chillaxvapetech.com
License No: 6144030129



WARRANTY

Thank you for purchasing Chillax Re! Repair or replacement is provided to the original purchaser under warranty according to the following terms and conditions:

1. This warranty card is valid within 90 days after the customer purchases the product. If there is a problem with the product, the product can be repaired or replaced by asking the local vape stores, consulting, etc.
2. It will be deemed as consumer negligence and this warranty will be void in any of following circumstances:
 - When a product problem occurs due to violation of the warnings in the product manual.
 - When the product malfunctions due to excessive impact or intentional impact.
 - When a malfunction occurs due to intentional disassembly or modification of the product.
 - When the product malfunctions due to being dropped into water or other liquids.
 - When a malfunction occurs due to the use of a type-c cable that is not included with this product, a plug that exceeds the product's voltage, or e-liquid that is not suitable for the product.
3. This warranty does not cover products repaired by third parties, natural wear and tear, and consumable parts such as empty cartridges, USB cable.